

TERMINATOR

SLOW-SPEED UNIVERSAL WASTE SHREDDER

UNIVERSAL APPLICATION

ROBUST AND INSENSITIVE TO CONTRARIES

HYDRAULIC OR MECHANICAL DRIVE

MACHINE FOR WISH





HIGHLIGHTS



- » Shreds even the most difficult materials
- » Sturdy, contrary-insensitive pre-shredder
- » Choice of shredding units to fit the job
- » Mobile machines with many options
- » Stationary machines with hydraulic or mechanical drive



TERMINATOR UNIVERSAL

Waste treatment for material recycling or energy recovery generally begins with a shredding process, in which the entire input material is prepared for subsequent process stages. The Terminator was built specifically for this purpose. As a slow-running single-shaft shredder, it can be used for all types of waste. Drum/ opposing comb versions can handle applications from coarse pre-crushing

to defined shredding. The continuous cutting gap adjustment allows tailoring of the particle size to subsequent process. A hydraulic drive with load-dependent speed control ensures maximum use of engine output on mobile machines. An electro-mechanical drive for the highest efficiency is offered on stationary variants as an additional option.



01

Bulky refuse, waste wood, construction waste

Hardly any other shredder can be used in such a broad range of applications as the Terminator, something which is of course a massive benefit with bulky waste and waste wood. Bulky waste presents no problem for the sturdy, contrary-resistant U shredding unit. With its cutting gap open, it coarsely breaks down even the most awkward materials, such as railway sleepers. For waste wood, the aggressive feed of the F unit and programmable reverse cycles ensure high throughput.



02

Household waste, residual waste

For these material streams, uniform shredding and long tool life are especially important. This is what the U and F units offer. With their armoured teeth and easily replaceable wear protection, they keep operating costs low, especially with the electromechanical drive option. The adjustable cutting gap allows the degree of shredding to be precisely configured for subsequent process stages.



03

Commercial waste

Because of its inhomogeneous nature, this waste stream requires the highest shredding power, which is provided by the hydraulic drive. This also prevents jamming and blockages - clearing by reversing is possible at all times. The F or XF unit is used depending on the desired particle size.



04

Special applications

Almost any material can be handled with the Terminator. All kinds of tyres, from car tyres to special-purpose tyres, can be shredded with the UF unit thanks to high tooth force and hydraulic drive. The same applies to paper rolls, textile remnants, fridges, washing machines, etc. - there is no such thing as impossible.



INSIDE THE MACHINE

The Komptech brand is synonymous with quality, reliability and stable product value. We use only the best components, from the engine to the output conveyor.

The mobile Terminator is powered by a modern Caterpillar® engine. Complete muffling of the engine compartment reduces noise emissions to a minimum. The hydraulic drive with load-dependent speed regulation (constant power control) provides the highest shredding power and prevents jamming and blockages – clearing by reversing is possible at all times. Overload protection prevents unshreddable contraries from ruining the teeth. The clearly laid out function keys make operation simple and reliable. Control electronics continually monitor the operational status of the machine and intervene to prevent damage should a stoppage occur.



Engine

- » Efficient CAT® diesel engine
- » Powerful cooling system for engine and hydraulics
- » Large access panels to simplify maintenance

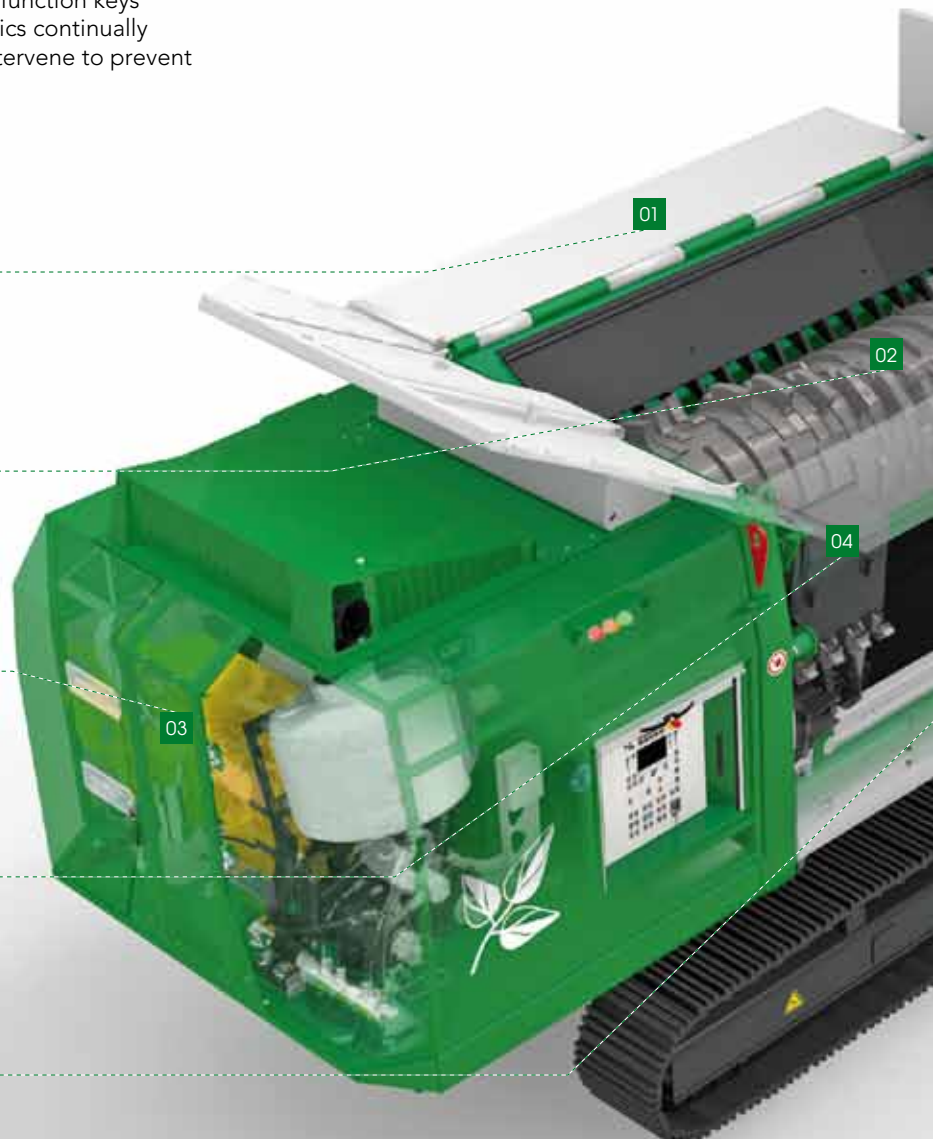
01
Large feeding area thanks to folding hopper

02
Spiral arrangement of drum teeth

03
High-performance Caterpillar® diesel engine

04
Adjustable counter-comb

05
Hydraulically extended overhead conveyor magnet





Hydraulics

- » Load-dependent speed control
- » Optional S-version: Double-sided drum drive for higher shredding power
- » Starting and reversing possible under load



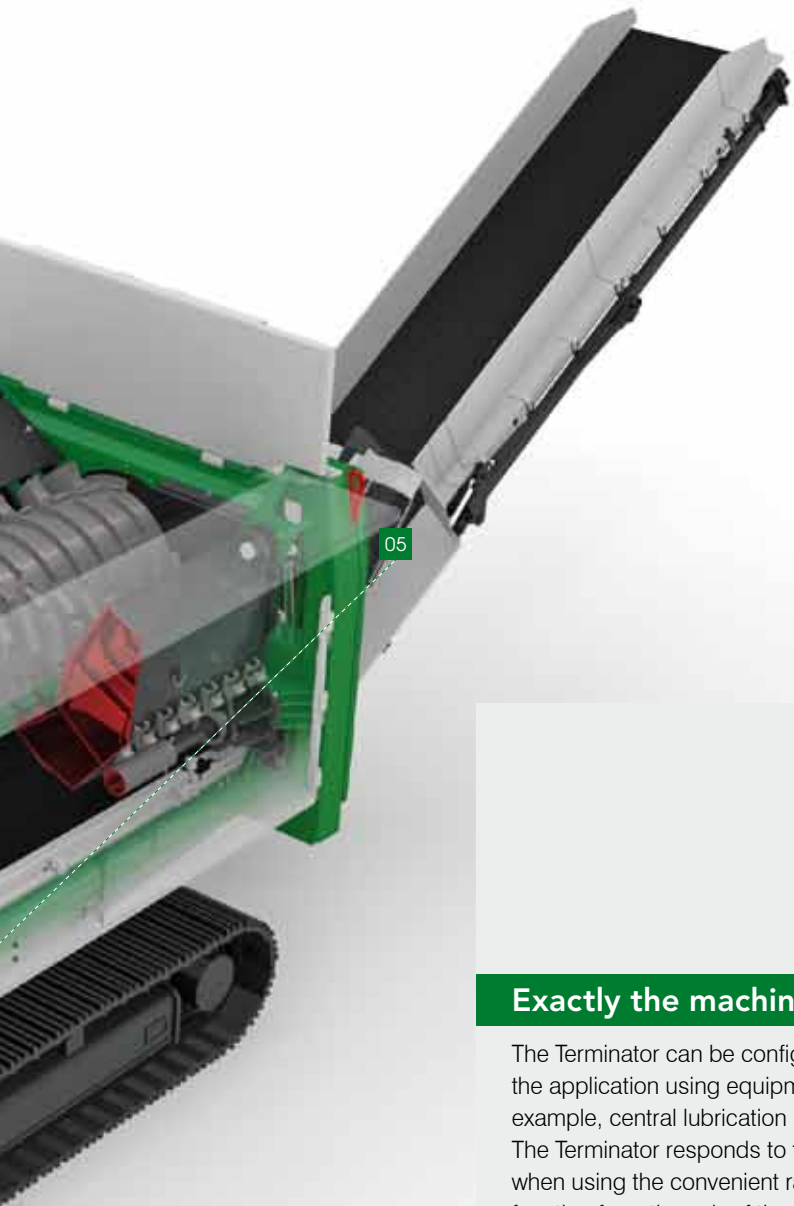
Operator console

- » Logical layout for simple operation
- » Control electronics for monitoring of operational status
- » Reversing programs for self-cleaning and to adjust for the material



Input/Output

- » Wide output channel with excellent access to output conveyor
- » Optional Track High Clearance: Output channel with height of 1000 mm for trouble-free discharge
- » Folding hopper for simple loading
- » Discharge conveyor incline steplessly adjustable



Adjustable counter comb

- » For adjusting particle size
- » Compensation of wear
- » Excellent accessibility to the shredding area

Exactly the machine you need

The Terminator can be configured precisely for the application using equipment options. For example, central lubrication simplifies servicing. The Terminator responds to the press of a button when using the convenient radio remote control function from the cab of the wheel loader. The automatic feed device (Hook, Trailer) - controllable via remote control - provide the necessary mobility on site. Effective separation of metallic contraries is carried out by a swivelling hydraulic overhead magnet (or alternatively by a magnetic roller on the discharge belt).

Options:

- » Overhead conveyor magnet/ magnet roll
- » Central lubrication
- » Automatic feed device
- » Radio remote control
- » Watering device



HIGHLIGHTS



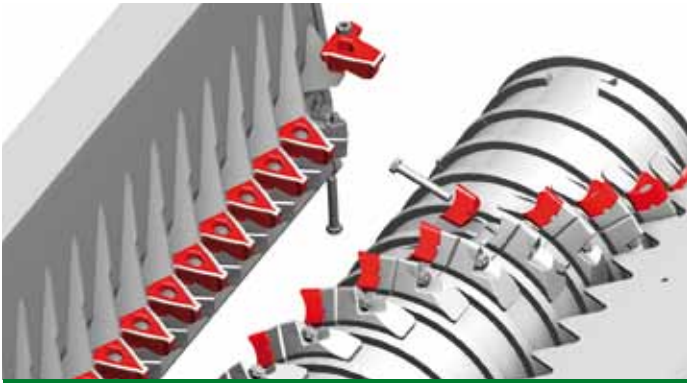
- » Extremely large feed area measuring 2000 mm in width and 3000 mm in length
- » Four shredding units for perfect configuration for the job at hand:
 - U for Universal
 - UF for Universal Fine
 - F for Fine
 - XF for eXtra Fine
- » Variable particle size by adjusting cutting gap
- » Teeth can be re-used multiple times for low wear costs. Armouring available as option



SHREDS ANYTHING

Even the toughest waste has no chance against the Terminator, but gets shredded down to the desired particle size. The choice of drum and shredding gap determines whether waste is coarsely pre-shredded or finely shredded to a defined granulation. The spirally arranged teeth (except on the UF unit) keep the material moving and make sure shredding is even, since multiple teeth attack the longer pieces one after the other. The hydraulically adjustable shredding gap between the counter-comb and the

drum gives precise control of the output particle size for the next process step. The counter-comb can be folded away entirely to make the shredding area freely accessible for maintenance. The solid teeth are held securely by bolt-on or plug-in tooth holders, and can be re-used several times. Optional tooth armouring increases longevity, and easily replaceable wear rings protect the drum body – all features that keep wear and maintenance costs low.

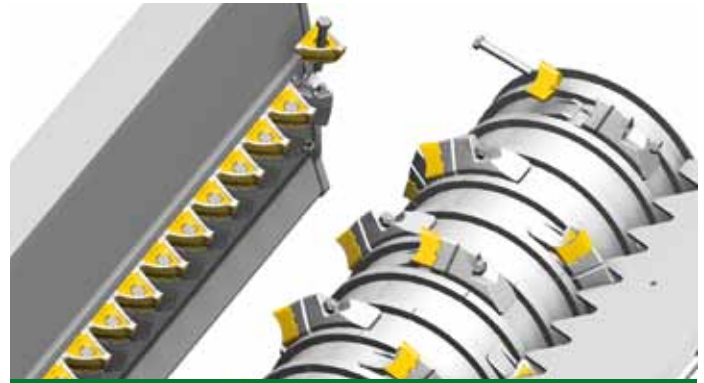


01

U (Universal) - for coarse pre-shredding

- High contrary-resistance
- Drum teeth can be used three times
- Aggressive material feed
- For bulky waste, white goods, waste wood, railway ties, construction and demolition waste

Coarse (up to >250 mm)

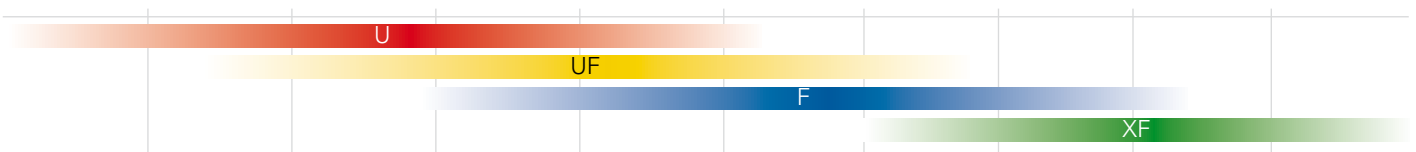


02

UF (Universal-Fine) - for the toughest jobs

- Just one tooth applied to the material at a time, for maximum tooth force
- Drum teeth can be used three times
- High contrary-resistance
- For MSW, bulky waste, commercial waste, tyres, special applications

Fine (predominantly <100 mm)



03

F (Fine) - a wide range of applications

- High-standing teeth for positive material feed
- Fixed axial cutting gap produces a defined cut
- Drum teeth can be used twice
- For MSW, bulky waste, commercial waste, waste wood



04

XF (eXtraFine) - for the highest degree of shredding

- Especially for prepping refuse derived fuel (RDF)
- Extremely secure tooth attachment - the tooth holder is inside the drum
- Weld-on tips for repeat use of drum teeth
- For commercial waste, bulky waste, waste wood



HIGHLIGHTS

- » Transportation of all mobile variants possible without special authorisation
- » Machine can be taken from the transport position into the working position immediately
- » Mobility on site as well, with mover or towing device options
- » The right chassis for every surface and application (options)



TERMINATOR MOBILE

Terminator mobility means getting quickly and easily from point A to point B, and also fast operational readiness on site: Unload, open up, power on, start working. Komptech has mastered the art of building mobile high-performance machinery, staying within tight dimensional, weight and emission tolerances like no other. The Terminator offers a choice of hook lift version,

3-axle chassis, or steel tracks. On the hook lift version, towing and movement device options provide manoeuvrability on site. With its air-sprung axles and movement device, the trailer version is naturally offers very easy mobility. The self-propelled steel tracks, with two-stage drive and extra wide baseplates, allow manoeuvrability on difficult terrain.



HIGHLIGHTS



- » Electric drive for high efficiency and minimal maintenance
- » Optional economic mechanical direct drive:
 - Low energy costs
 - Simple installation
 - Reverse control
- » Optional hydraulic drive for high shredding power and steplessly variable throughput control
- » Remote power design for hydraulic drive: protection of drive unit (dust protection, better cooling) and space-saving integration



TERMINATOR STATIONARY

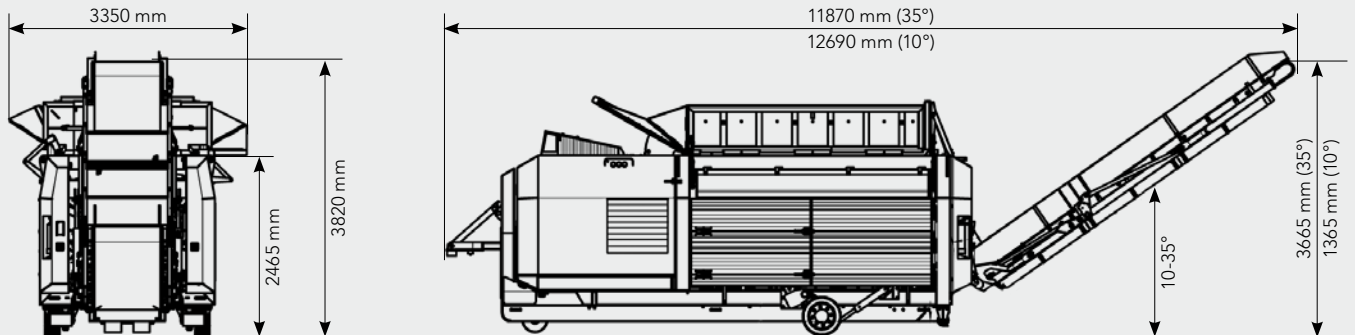
If mobility is not required, electric drive is the best solution from the standpoint of operational efficiency. With their energy efficiency, virtually maintenance-free operation and control advantages, electrical drives are the solutions of choice, especially for large-scale plants with long machine operating times. Besides the standard stationary frame, separation of the drive unit from the shredding unit is also provided as an option for the hydraulic version. This way the drive unit is protected from

dust and can be installed easily and accessibly in containers or in a utility room. The compact shredding unit can be integrated into the process cycle without taking up much space. The cost-effective mechanical drive offers low energy costs due to high efficiency. The installation into the plant chain is simple: Set up - connect - power on. Further features are two speeds for adaption to material and automatic reverse control.

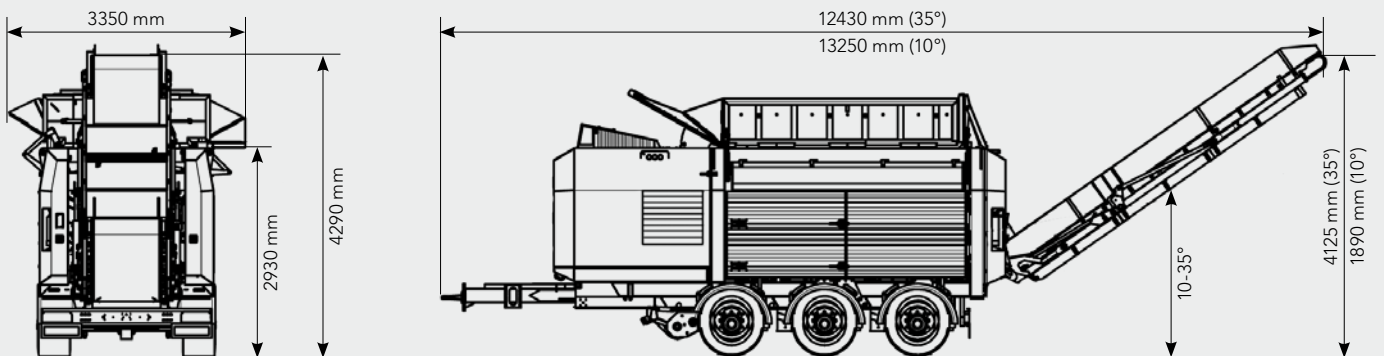


	3400	3400 S	5000	5000 S	6000 S
Engine					
Diesel motor:	CAT ® C9	CAT ® C9	CAT ® C13	CAT ® C18	CAT ® C18
Power:	242 kW/330 HP	242 kW/330 HP Drum drive on both sides	328 kW/446 HP	328 kW/446 HP Drum drive on both sides	429 kW/583 HP Drum drive on both sides
Power electrical-hydraulic:	1 x 160 kW	1 x 160 kW	1 x 200 kW	1 x 200 kW	2 x 160 kW
Power electrical-mechanical:	1 x 160 kW	2 x 75 kW		2 x 110 kW	2 x 160 kW
Shredding unit					
Drum rpm mobile machines:	max. 29	max. 29	max. 29	max. 32	max. 38
Drum length (mm):				3000	
Drum diameter (mm):				1050	
Loading heights mobile machines					
Loading heights (mm):	Hook: 2465		Trailer: 2930	Track: 2905	
Discharge heights (mm, 10°-35°):	Hook: 1365 - 3665		Trailer: 1890 - 4125	Track: 1805 - 4105	
Dimensions mobile machines transport position/working position (Conveyor belt 35°)					
L x W x H Hook (mm):	6840 x 2470 x 2650 / 11870 x 3350 x 3820				
L x W x H Trailer (mm):	7990 x 2500 x 3255 / 12430 x 3350 x 4290				
L x W x H Track (mm):	6495 x 2855 x 3150 / 10900 x 3350 x 4260				
Weight mobile machines (dependent on equipment)					
Hook (t):	~ 18.8	~ 19.8	~ 19.4	~ 20.4	~ 21.3
Trailer (t):	~ 21.0	~ 22.0	~ 21.6	~ 22.6	~ 23.5
Track (t):	~ 24.2	~ 25.2	~ 24.8	~ 25.8	~ 26.7
Throughput (dependent on material)					
Throughput performance (t/h):	up to 45	up to 50	up to 60	up to 80	up to 100
Options mobile machines					
Armoured drum teeth, forward movement device (Hook, Trailer), towing unit (Hook), remote control, central lubrication, over-belt magnet with swinging arm, magnetic pulley etc.					

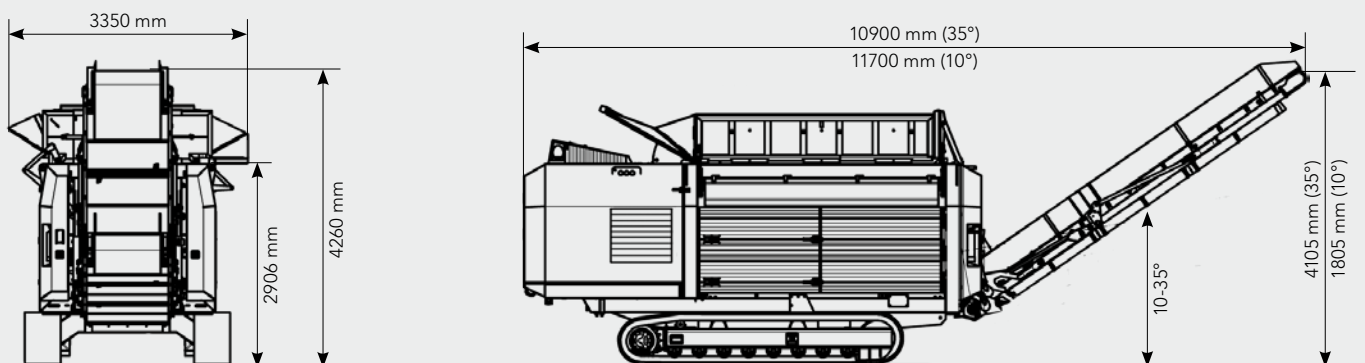
Hook



Trailer



Track



TECHNOLOGY FOR A BETTER **ENVIRONMENT**



Komptech GmbH
Kühau 37, A-8130 Frohnleiten
[t] +43 3126 505-0
[f] +43 3126 505-505
[e] info@komptech.com

Komptech UK Ltd.
Forge End, Lodge Farm Kineton
Warwickshire, CV35 0JH
[t] +44 1926 64 29 72
[f] +44 1926 64 29 71
[e] info.uk@komptech.com

www.komptech.com