



KOMPTECH
TECHNOLOGY FOR A BETTER ENVIRONMENT

HURRIKAN

MOBILE WINDSIFTER
UNIVERSAL APPLICATION
HIGH SELECTIVITY
EASY ADJUSTMENT TO MATERIAL
MANY OPTIONS

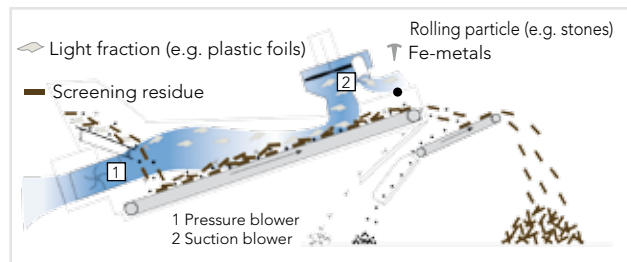




HIGHLIGHTS



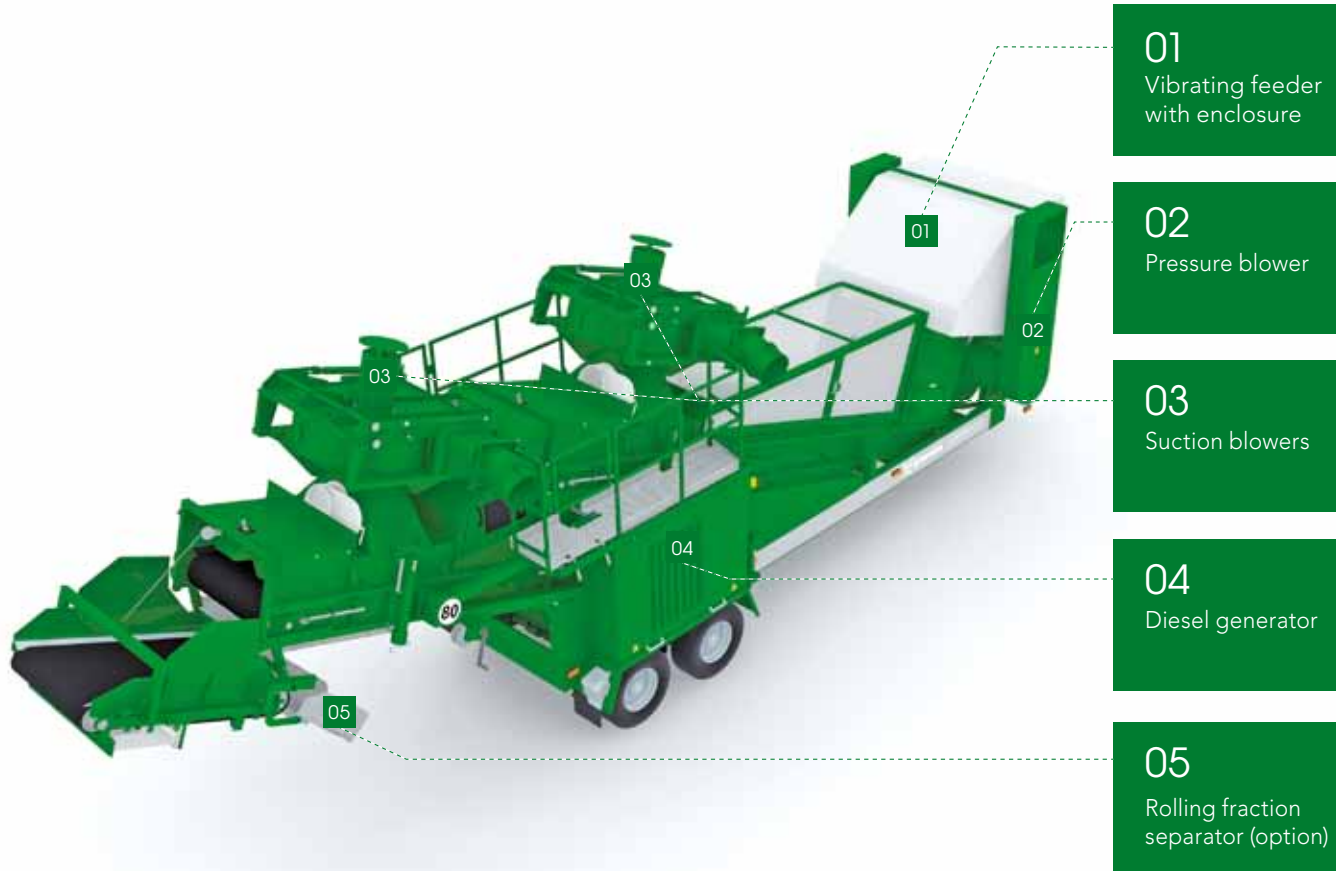
- » High throughput with over 90% selectivity, by precise adjustment of settings to match material properties
- » Powerful S-version with enlarged suction section (Two suction blowers)
- » Maximum mobility and independent operation with on-board diesel power unit
- » Compatible with most commercially available mobile screening units



HURRIKAN WINDSIFTER

The mobile Hurrikan windsifters allow effective separation of plastic foils from over-sized screened particles. The patented „pressure-suction“ process enables an effective separation of light fraction from screening residues. In the first step, material is separated off by a pressure blower. In the second step, the lightweight material is drawn off by a powerful suction blower.

The suction performance is adjustable to material by variation of blower speed, blower distance and vent flaps. The quality of the recyclable oversized particles can be improved yet further by using magnet separation and a stone trap.



01
Vibrating feeder
with enclosure

02
Pressure blower

03
Suction blowers

04
Diesel generator

05
Rolling fraction
separator (option)



01

Separation

The patented pressure-suction process ensures extremely effective separation of the lightweight fraction from the screen overflow. In the first step, material is separated by a pressure blower. In the second step, the lightweight material is drawn off by a powerful suction blower.



02

Adjustment

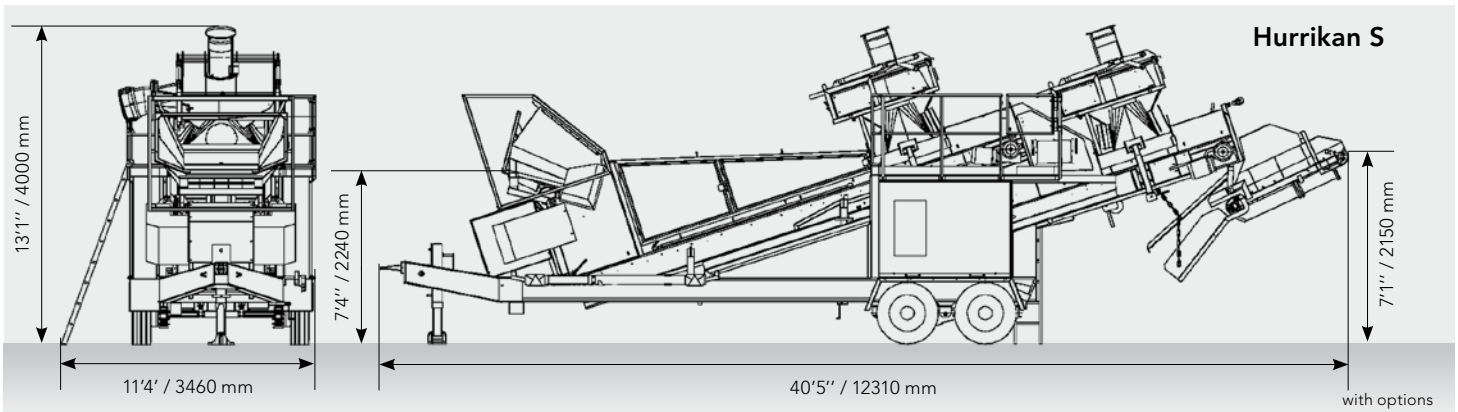
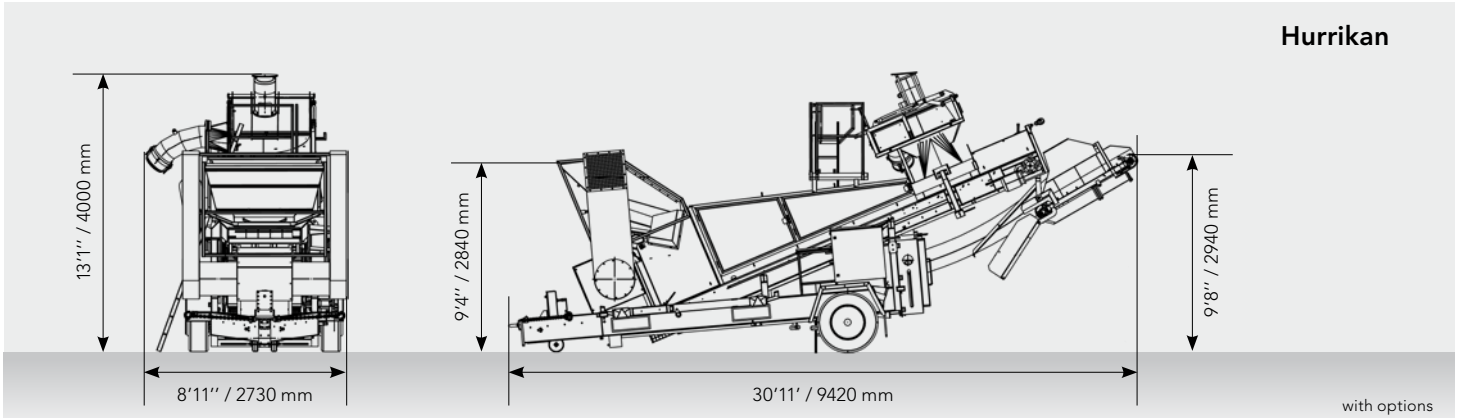
The wide chute enables a width up to 47" / 1.2 m and feed height of 6'5" to 7'5" / 1.95 to 2.25 m for the screener conveyor belt. The suction performance is adjustable for the material by changing the blower speed, blower distance and vent flaps.



03

Options

The optional magnetic drum and rolling fraction separator make the Hurrikan a real clean-up machine. On the tiltable conveyor belt, round, heavy objects (mainly stones) roll downwards and are diverted via a chute.



	Hurrikan	Hurrikan S
Drive		
Electrical power input (kW):	28	47
Diesel generator (kVA):	48	60
Material feeding		
Filling width:	5'3" / 1600 mm	5'3" / 1600 mm
Filling height:	adjustable from 6'5" to 7'5" / 1950 to 2250 mm	adjustable from 6'5" to 7'5" / 1950 to 2250 mm
Blower power		
Pressure blower (kW):	7.5	7.5
Suction and feed blower (kW):	15	2 x 15
Material discharge		
Max. discharge height:	8'8" / 2650 mm	8'8" / 2650 mm
Dimensions		
Transport dimensions L x W x H:	27'3" x 8'4" x 13'1" / 8300 x 2550 x 4000 mm	36'1" x 8'4" x 13'1" / 11000 x 2550 x 4000 mm
Working dimensions L x W x H:	30'11" (incl. separation belt) x 8'11" x 13'1" 9420 mm (incl. separation belt) x 2730 x 4000 mm	40'5" (incl. separation belt) x 11'4" x 13' 1" 12310 mm (incl. separation belt) x 3460 x 4000 mm
Weight:	7.0 t.sh / 6.5 mt	11.0 t.sh / 10.0 mt
Throughput (dependent on material)		
Throughput performance:	to 55 yd ³ /h / to 40 m ³ /h	to 80 yd ³ /h / to 60 m ³ /h
Options		

Magnet drum, separation belt for rolling fraction, diesel generator, frequency controller for suction blower, intake channels, vibrating feeder enclosure etc.

Komptech USA Inc.
 [P] (720) 890-9090
 [F] (720) 890-5907
 [E] info@komptechusa.com

www.komptechusa.com

